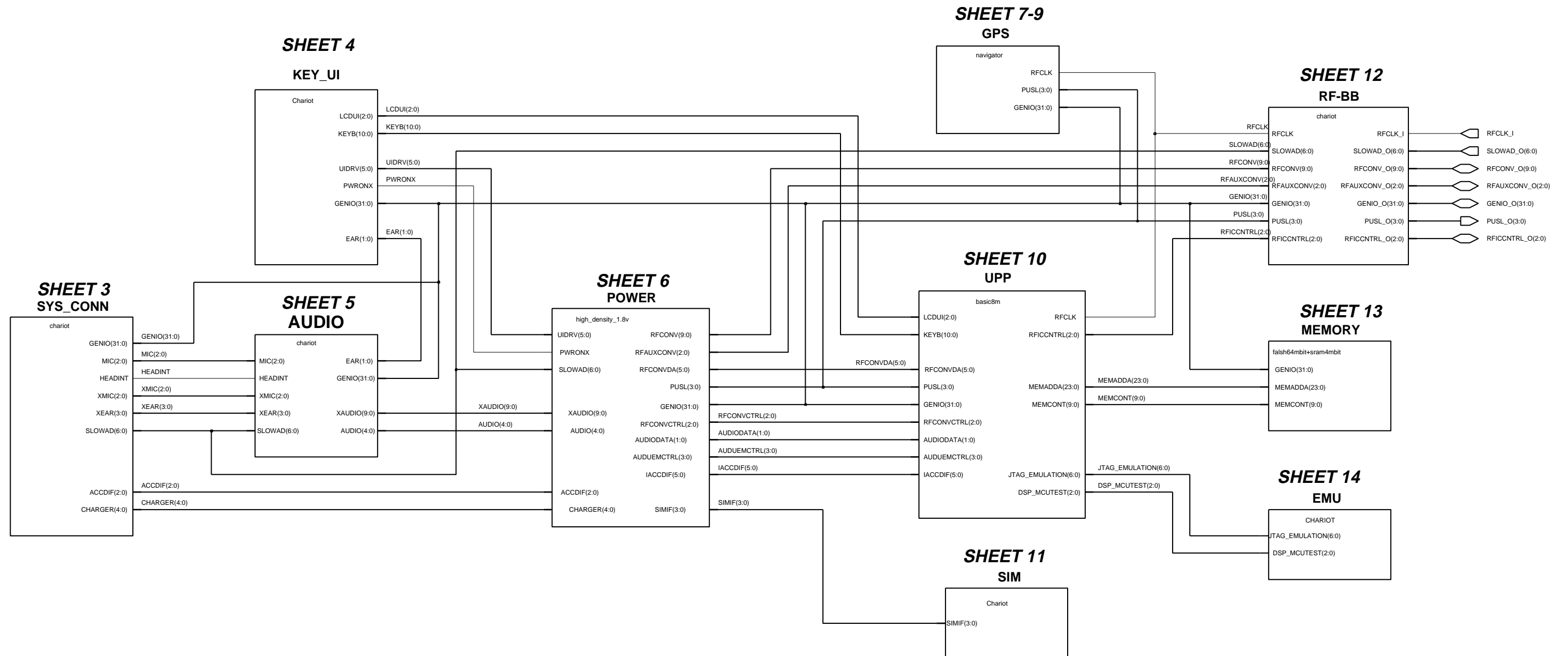
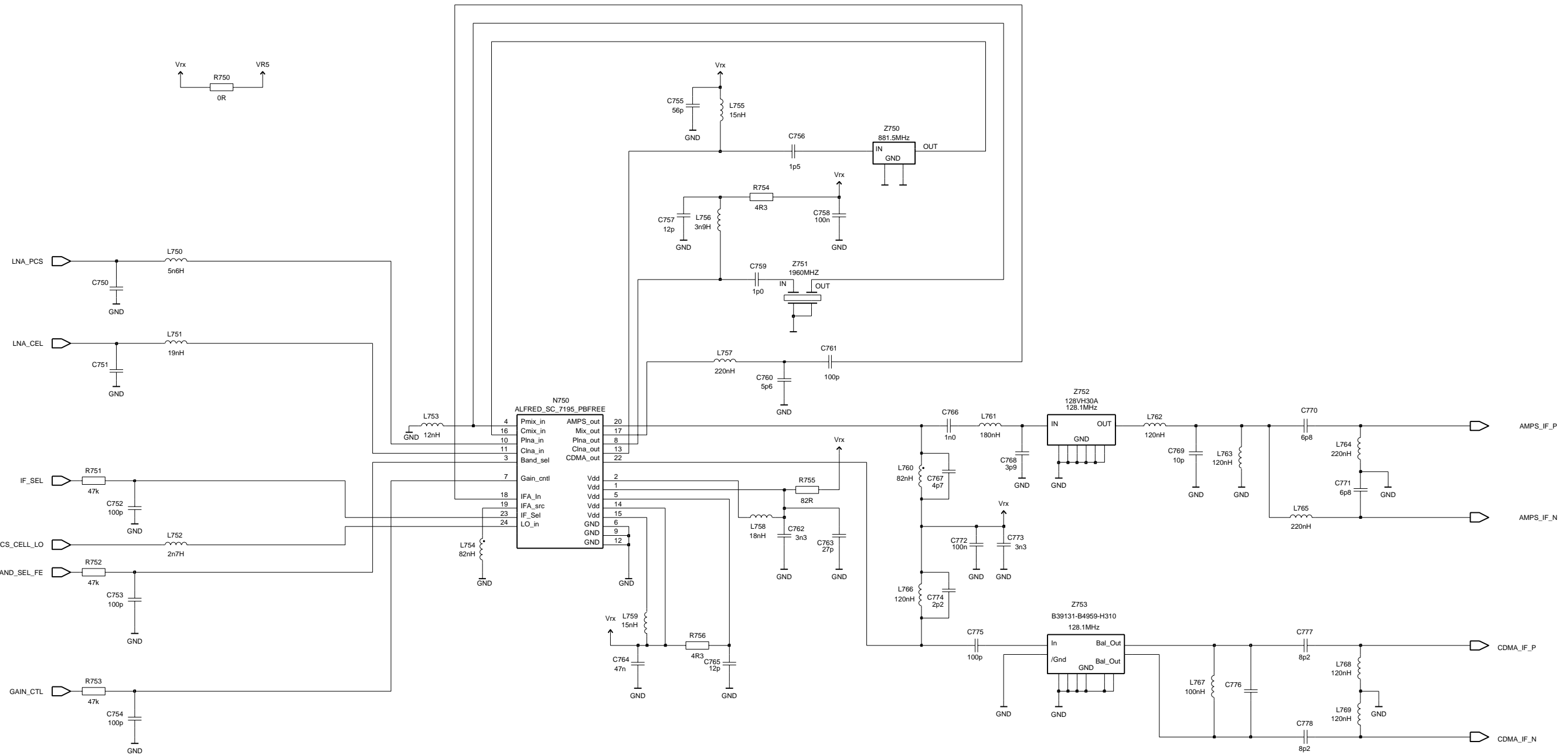


6019i Schematics

Baseband - Top



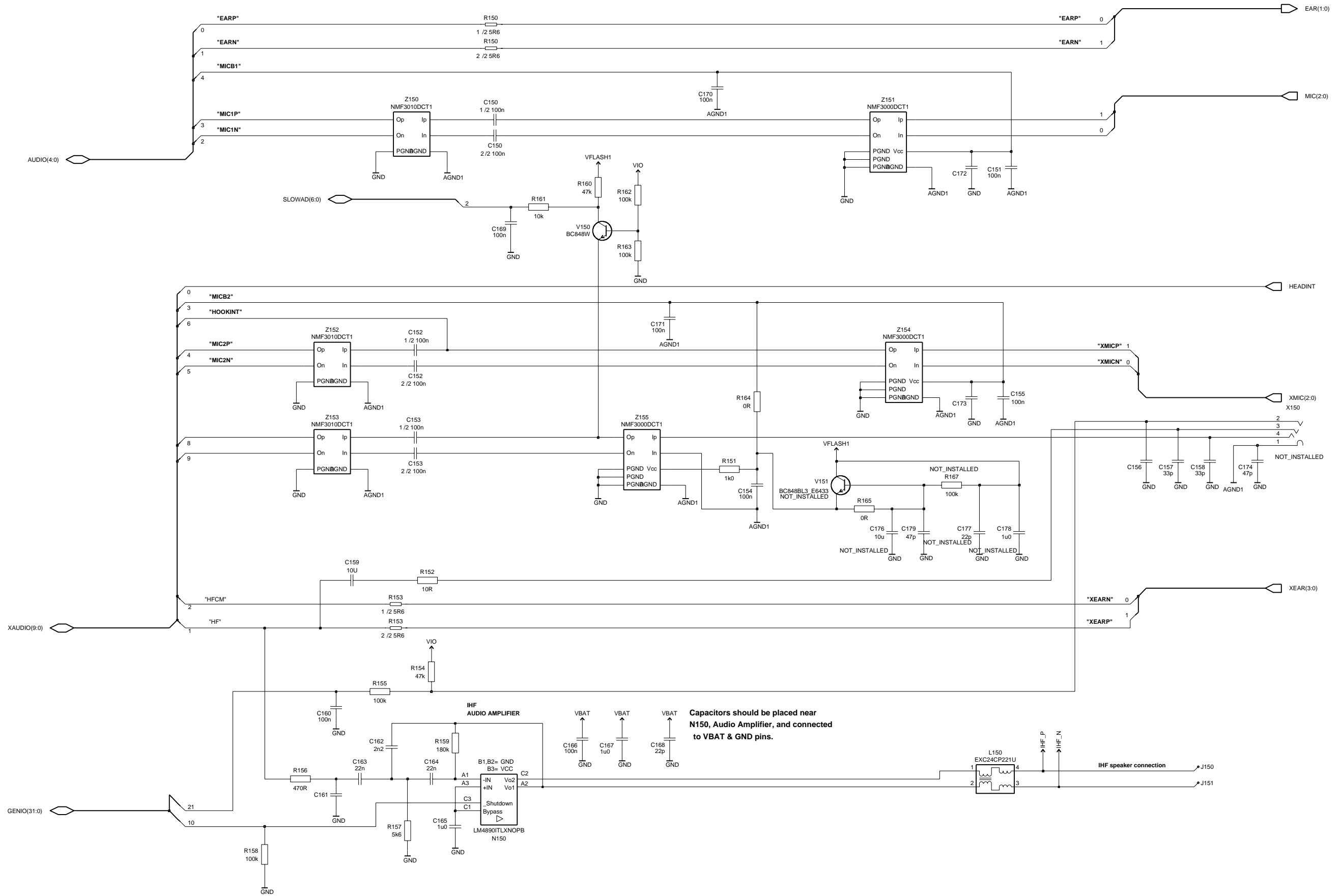
Front End



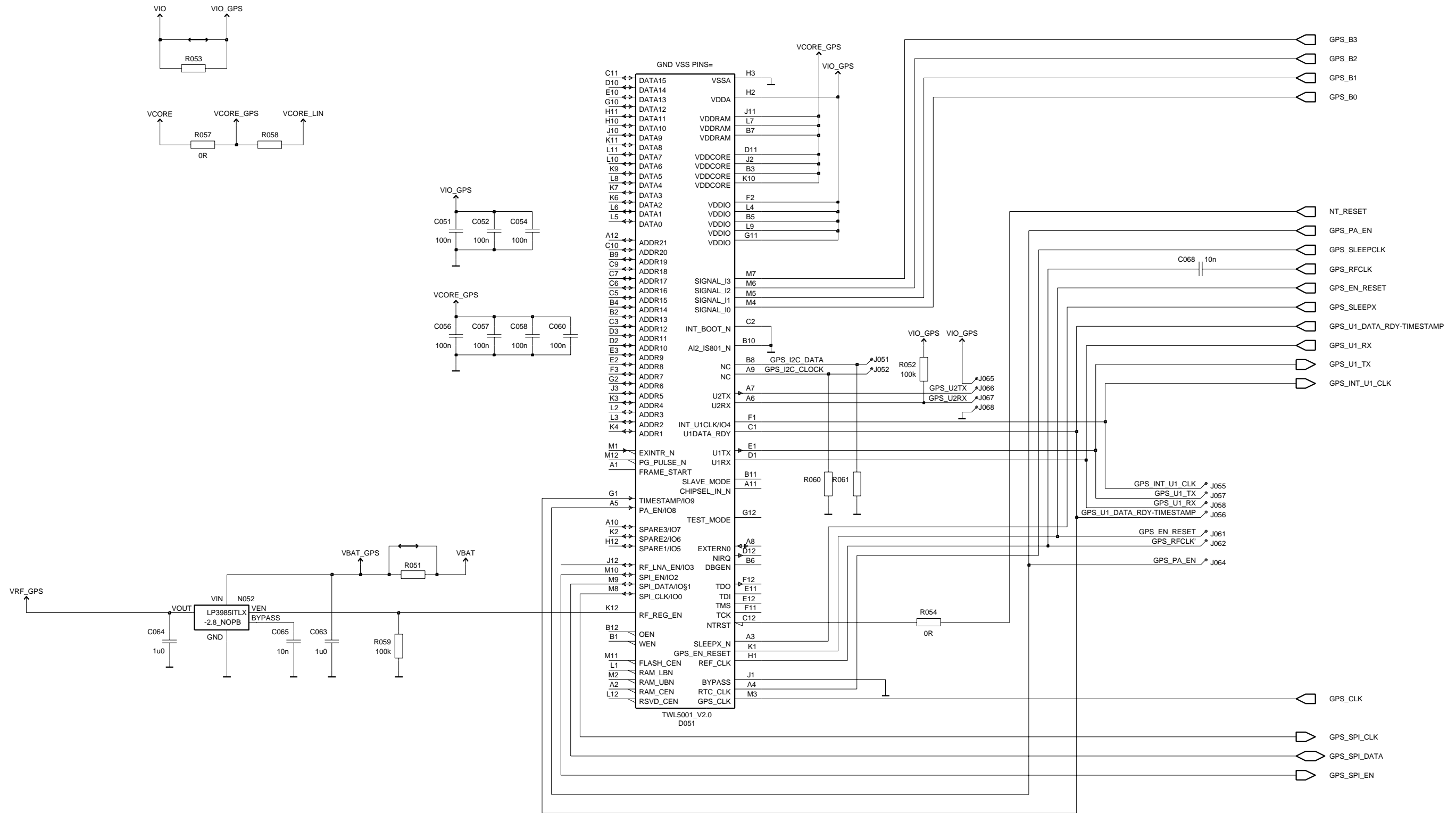
MODES	LOGIC INPUTS		
	BAND	GAIN_CTL	IF_SEL
CEL CDMA Hi Gain	0	1	0
CEL CDMA Lo Gain	0	0	0
PCS CDMA Hi Gain	1	1	0
PCS CDMA Lo Gain	1	0	0
AMPS Hi Gain	0	1	1
AMPS Lo Gain	0	0	1

VARIANT DNI	
HDB91 800	HDC93 1900
C750 C759 L750 Z751	C751 C756 C766 C768 C769 C770 C771 L751 L761 L762 L763 L764 L765 Z750 Z752

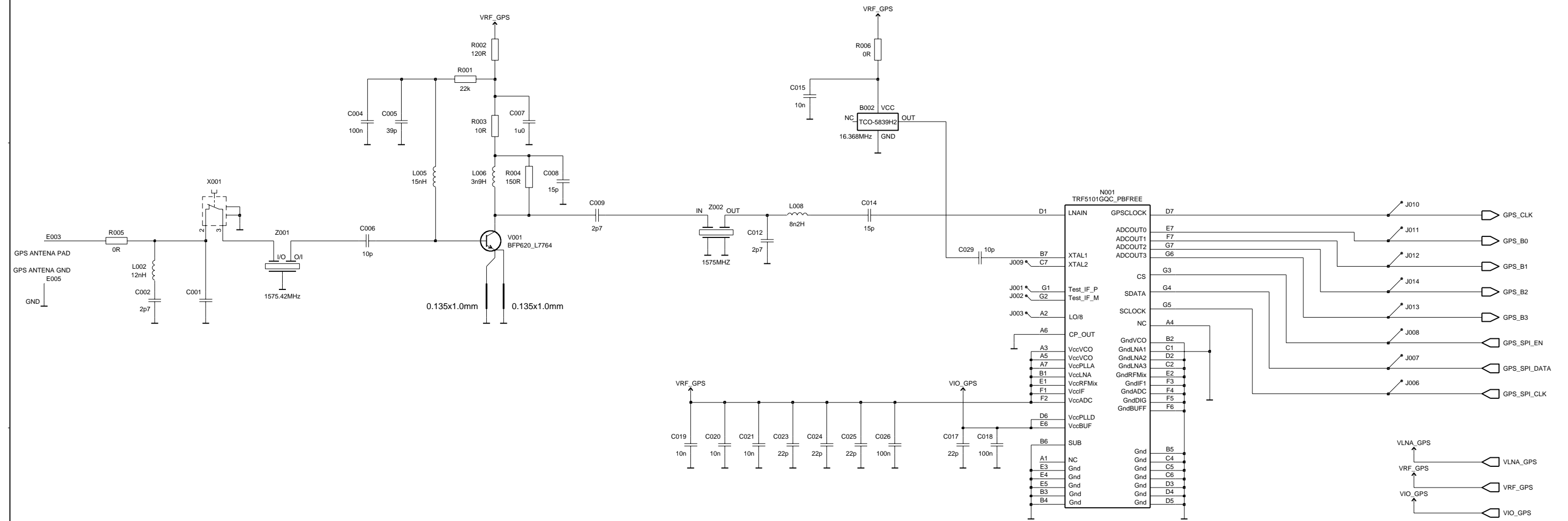
Audio



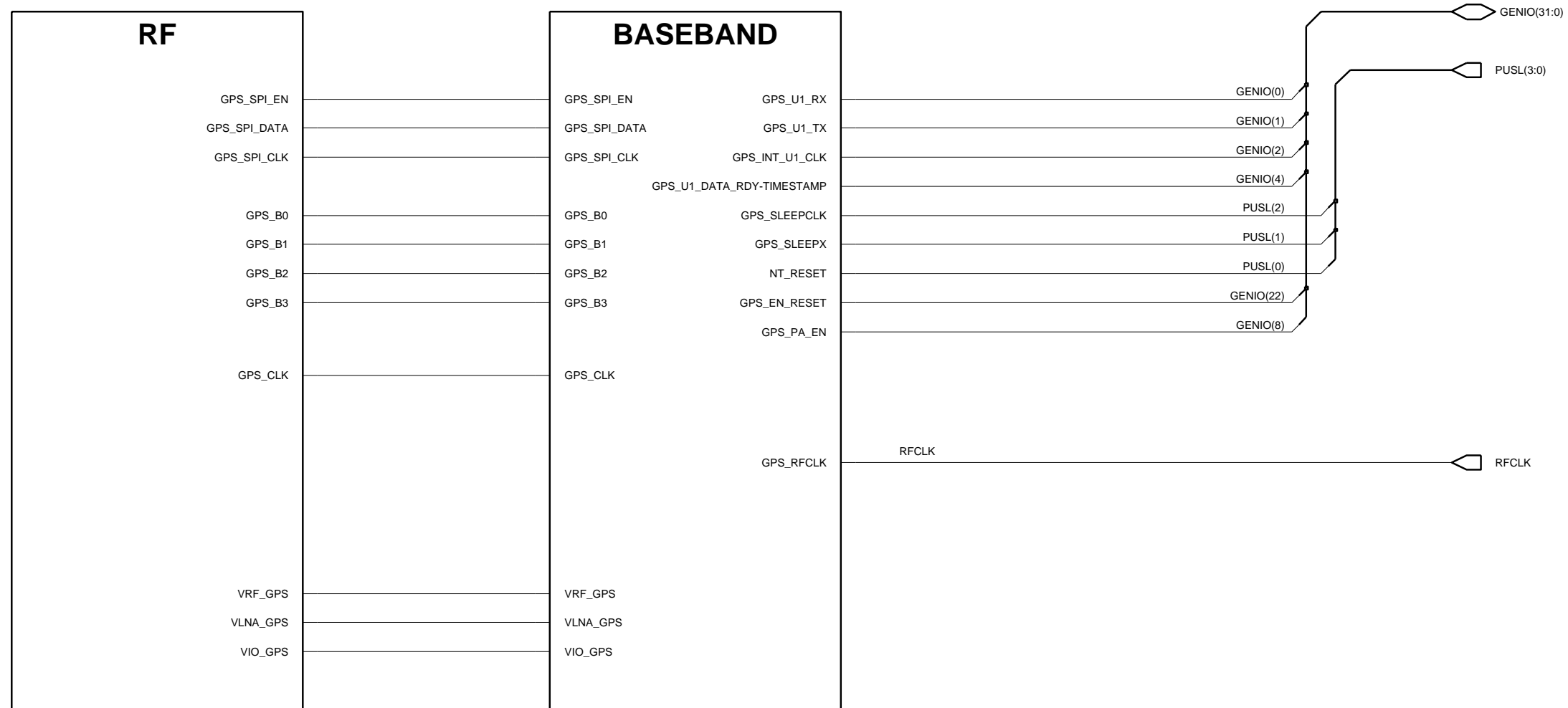
GPS Baseband



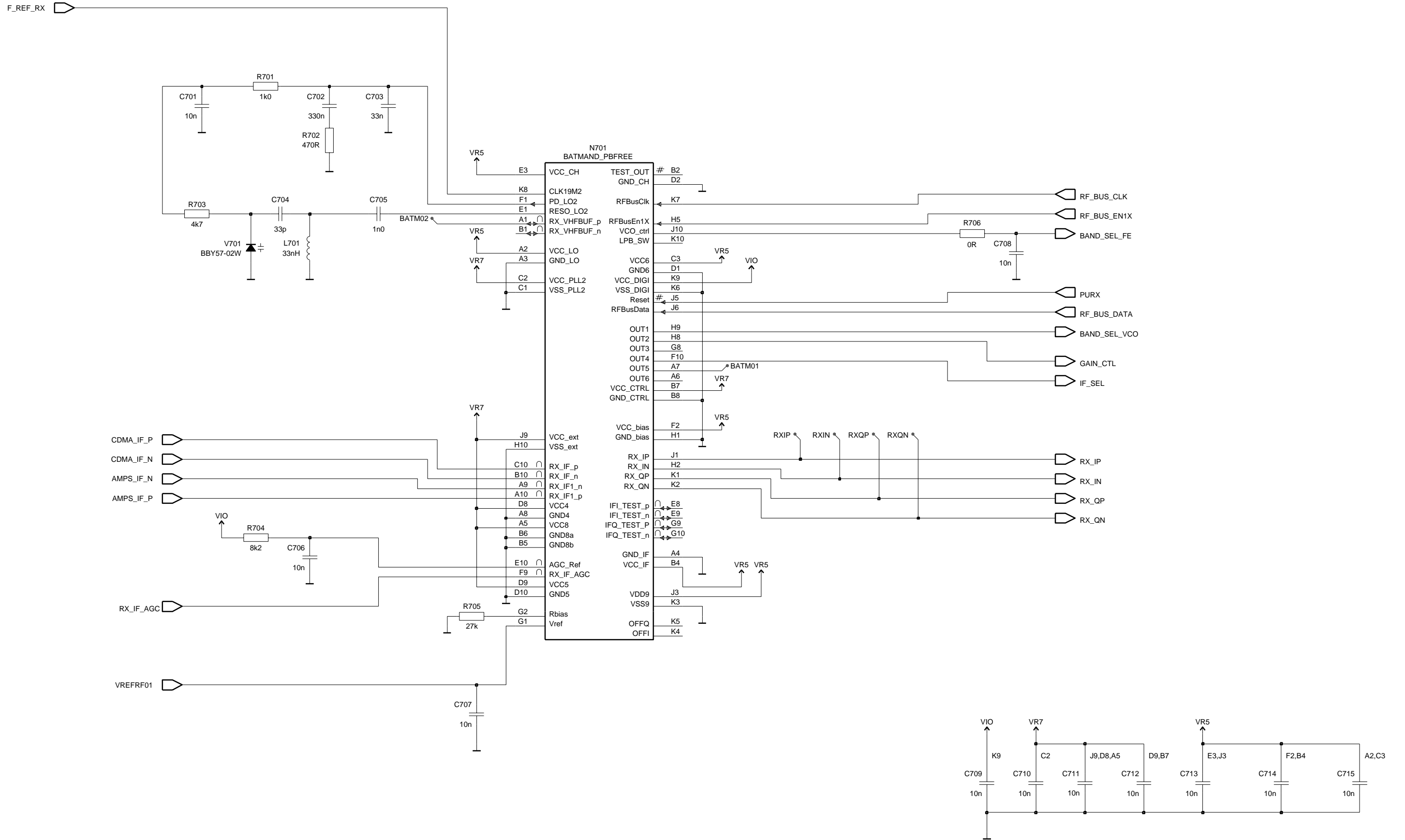
GPS RF



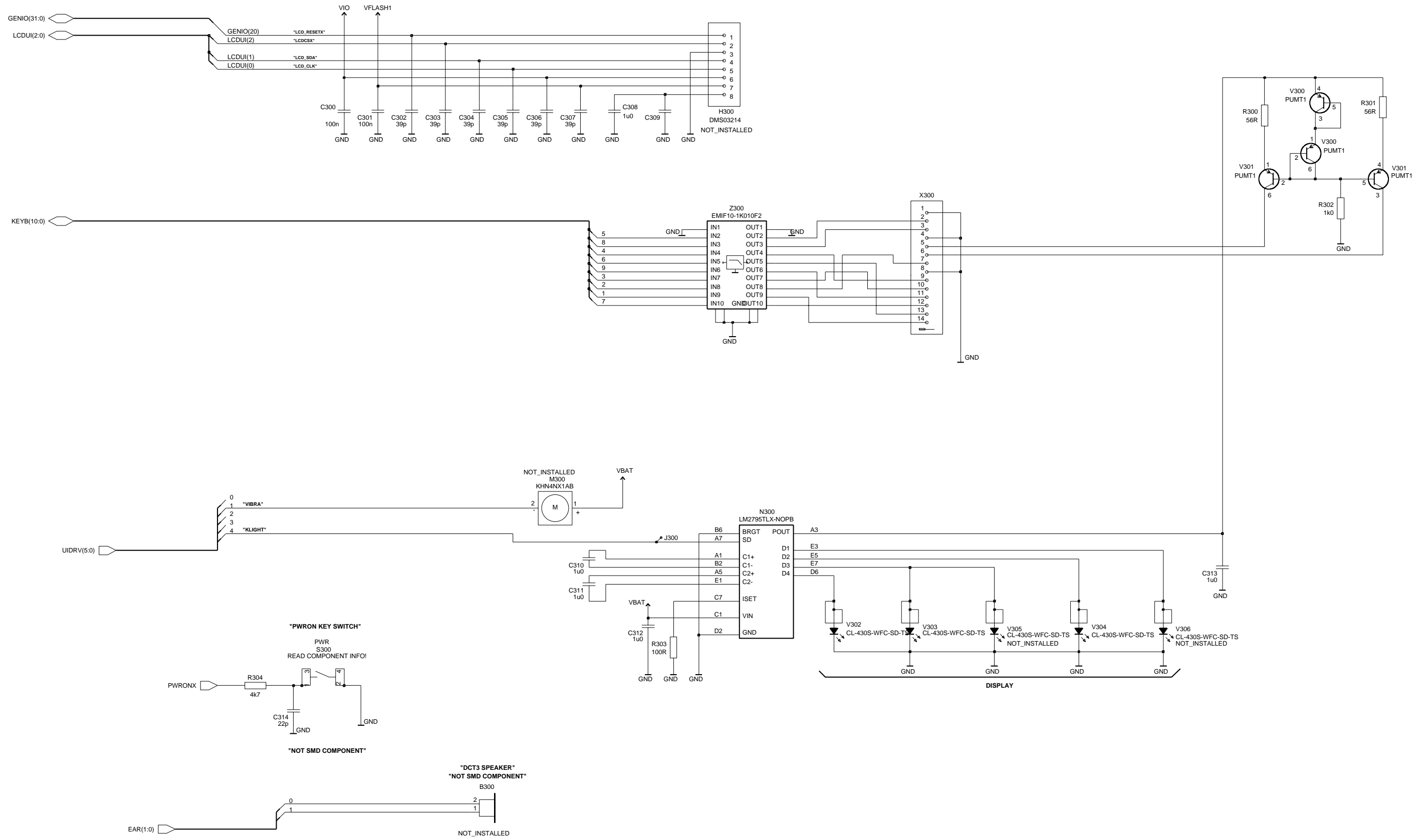
GPS RF BB Interface



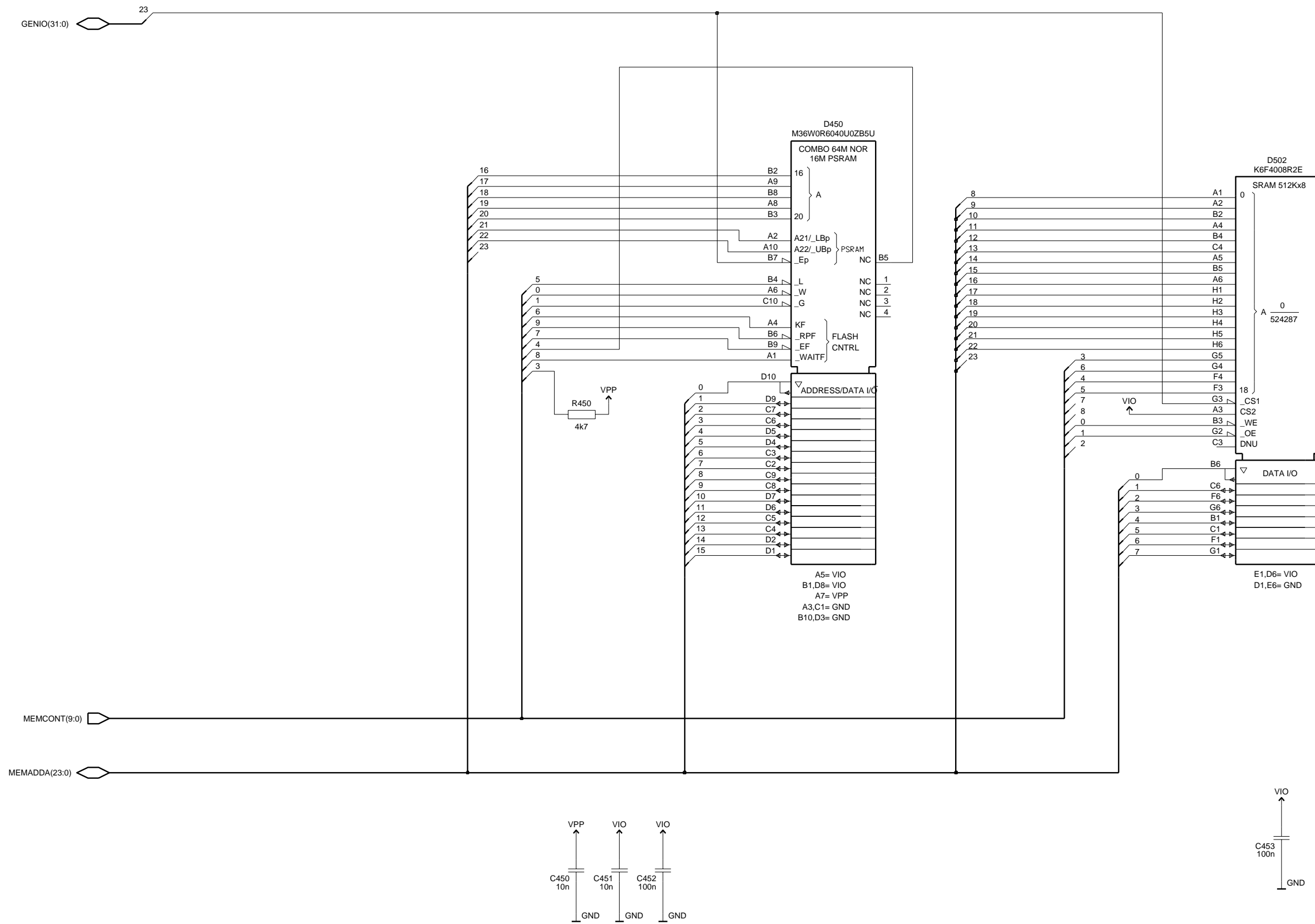
Batman



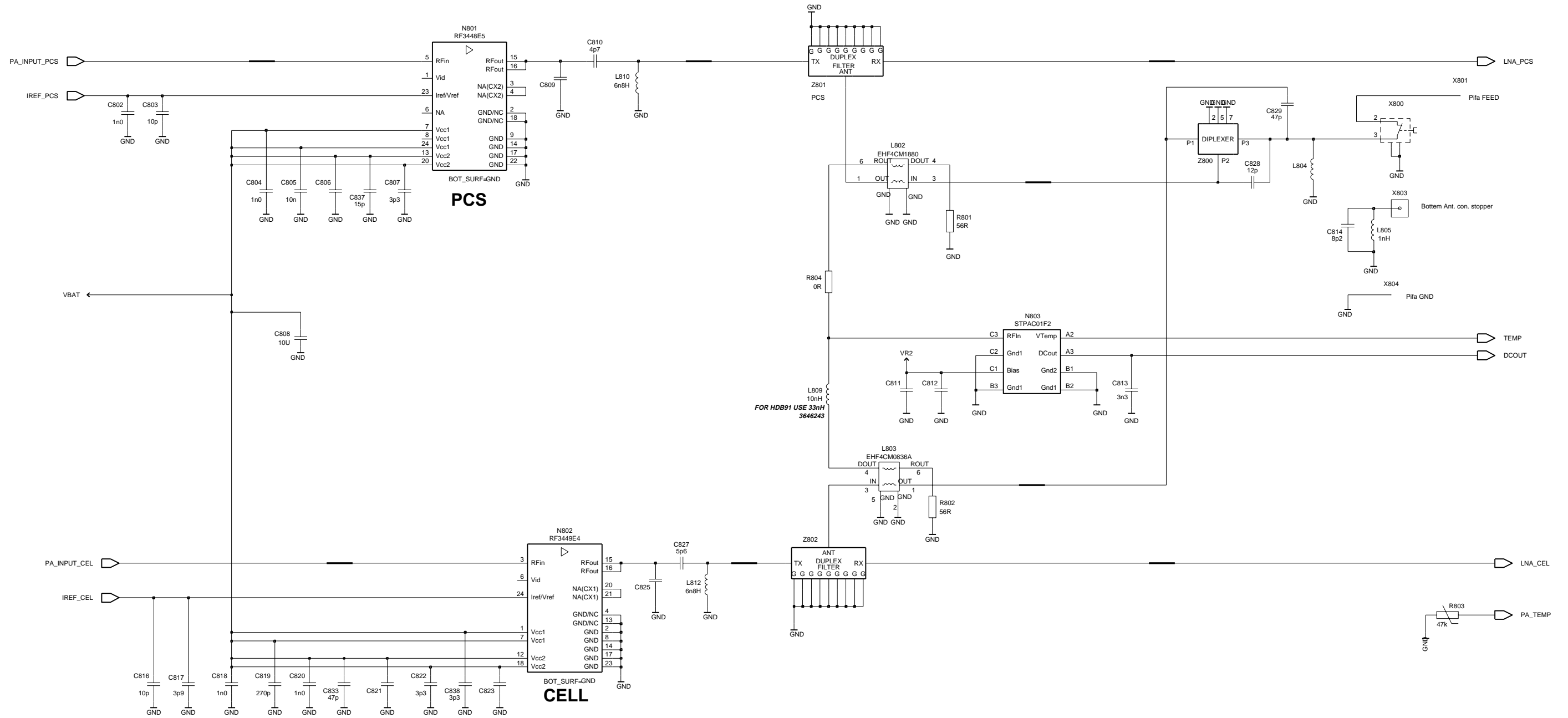
Key UI



Memory

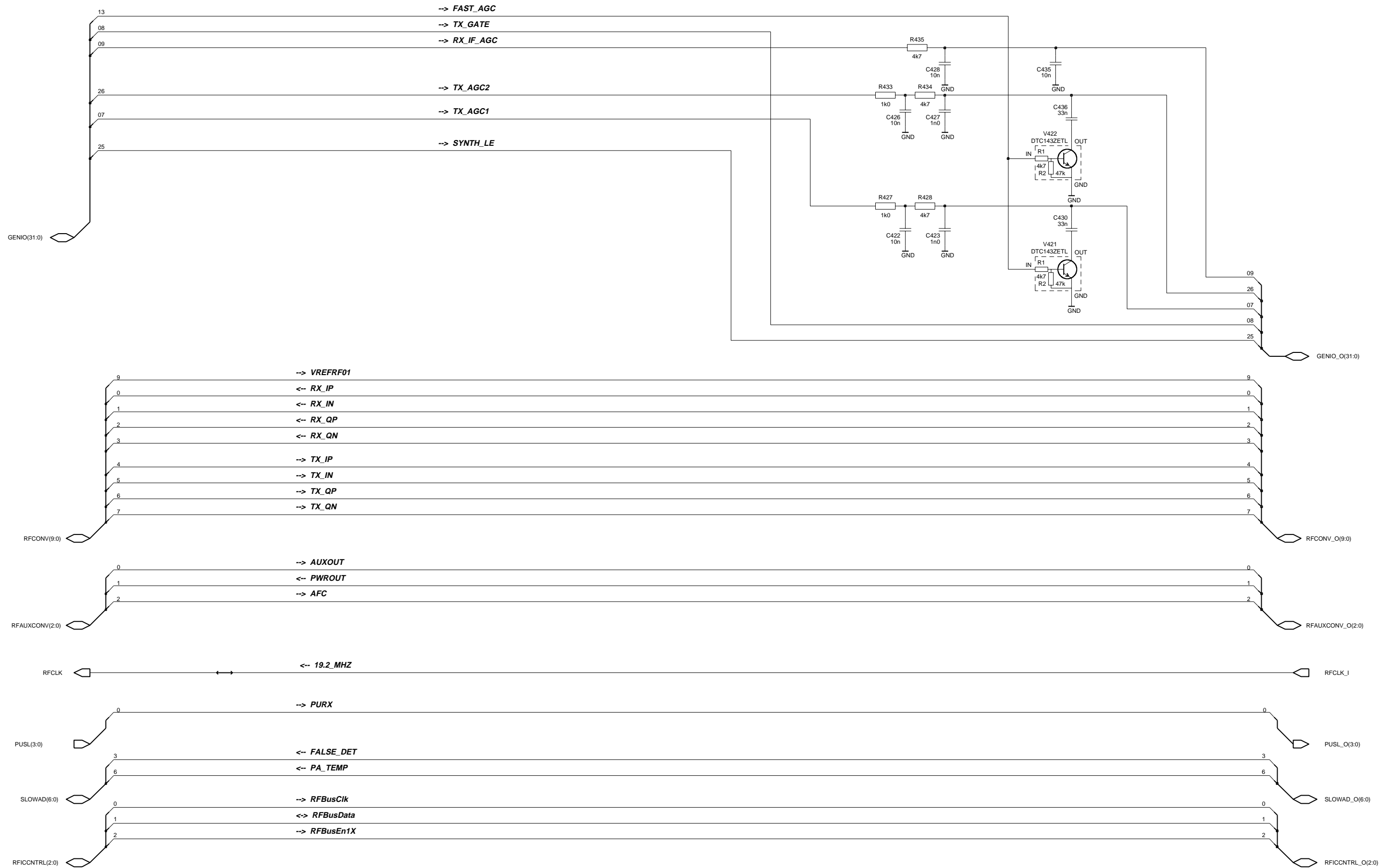


PA

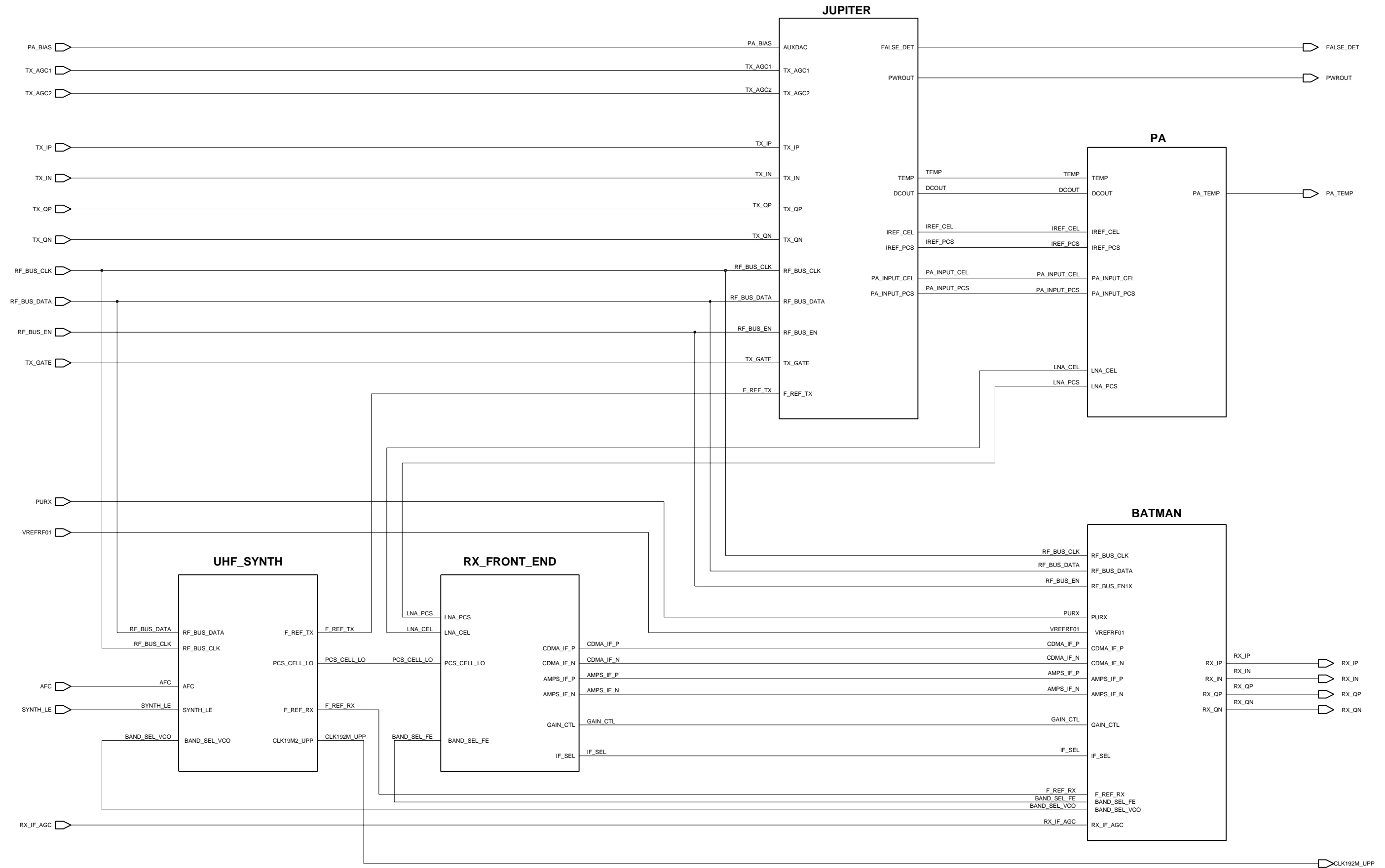


VARIANT DNI		
HDC91 DB	HDB91 800	HDC93 1900
C828	C802	C816
C829	C803	C817
	C804	C818
	C805	C819
	C806	C820
	C807	C821
	C809	C822
	C810	C823
	C828	C825
	C837	C827
	L802	C829
	L810	C833
	N801	C838
	R801	L803
	R804	L808
	Z800	L811
	Z801	R802
		Z800
		Z802

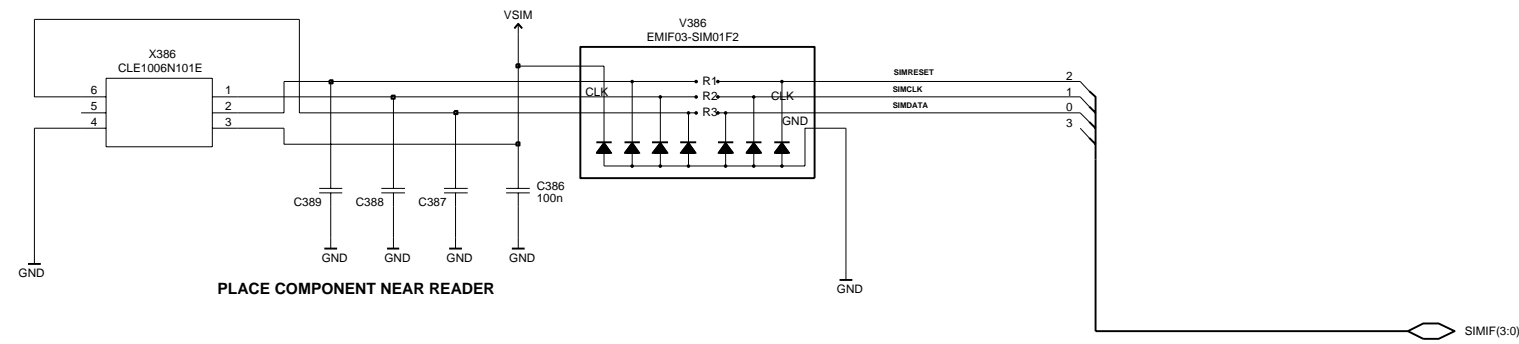
RF-BB Interface



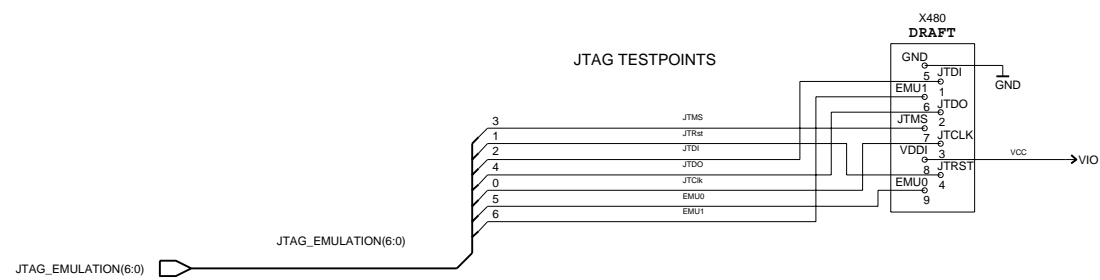
RF - Top



SIM

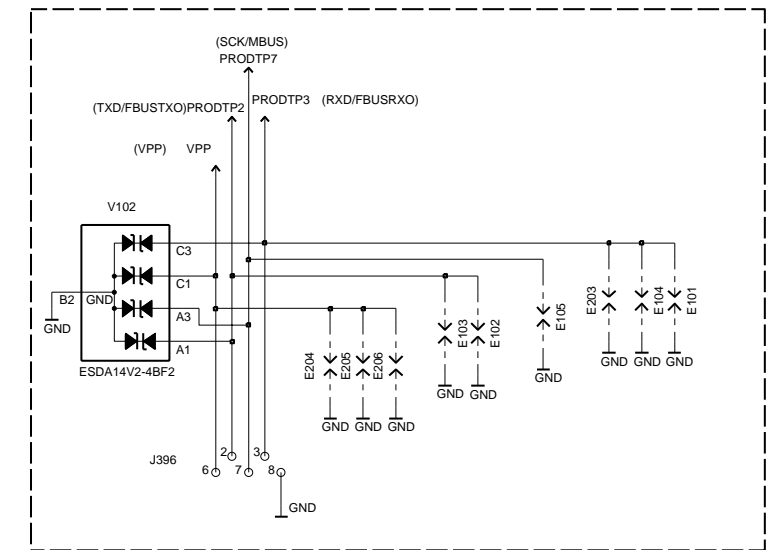
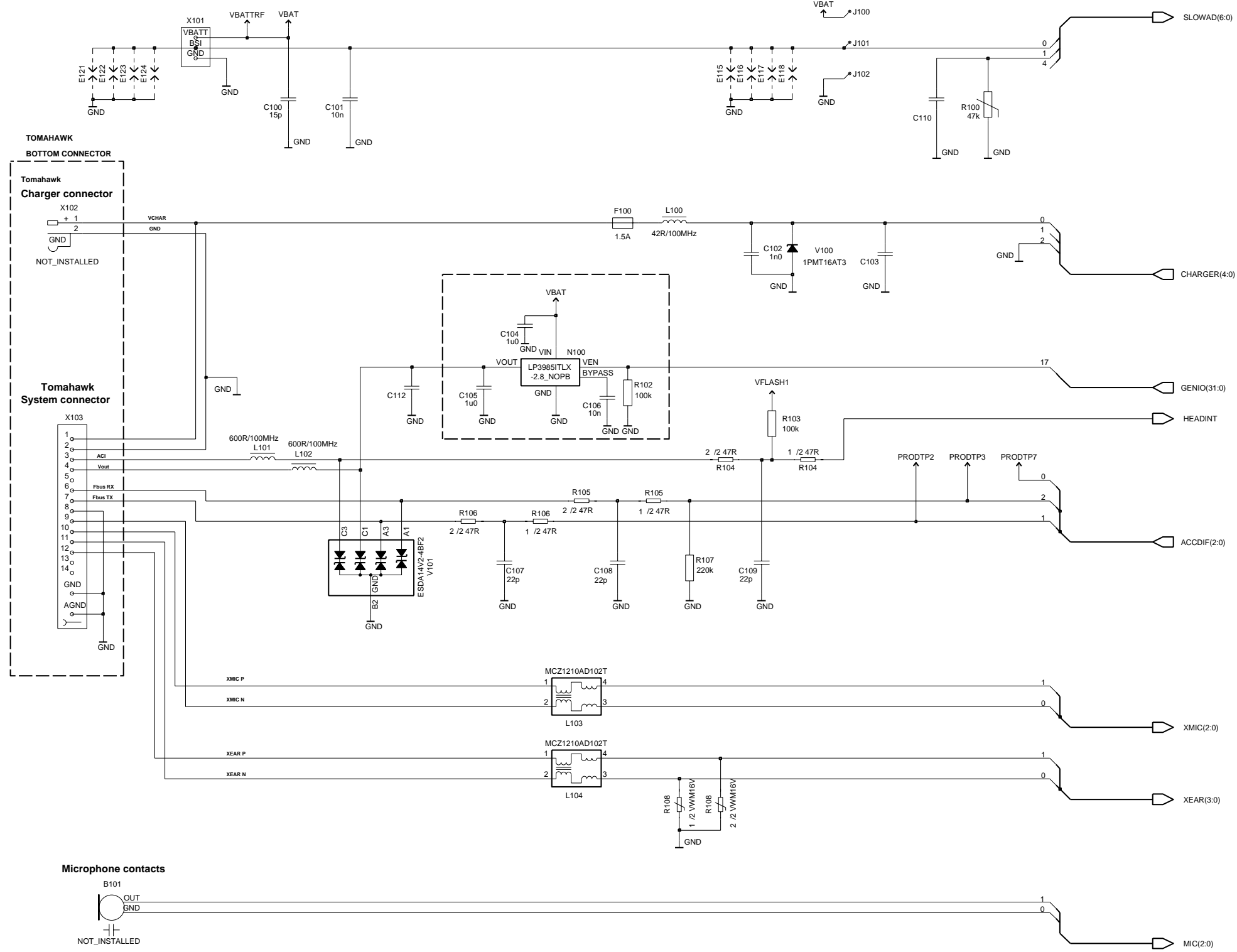


Test and Emulator Interface



System Connector

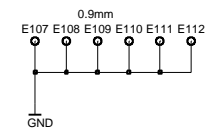
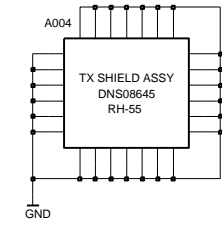
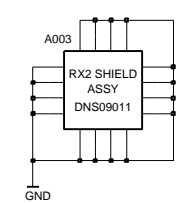
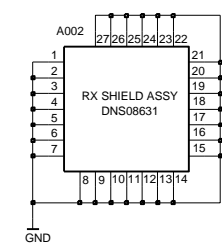
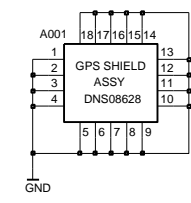
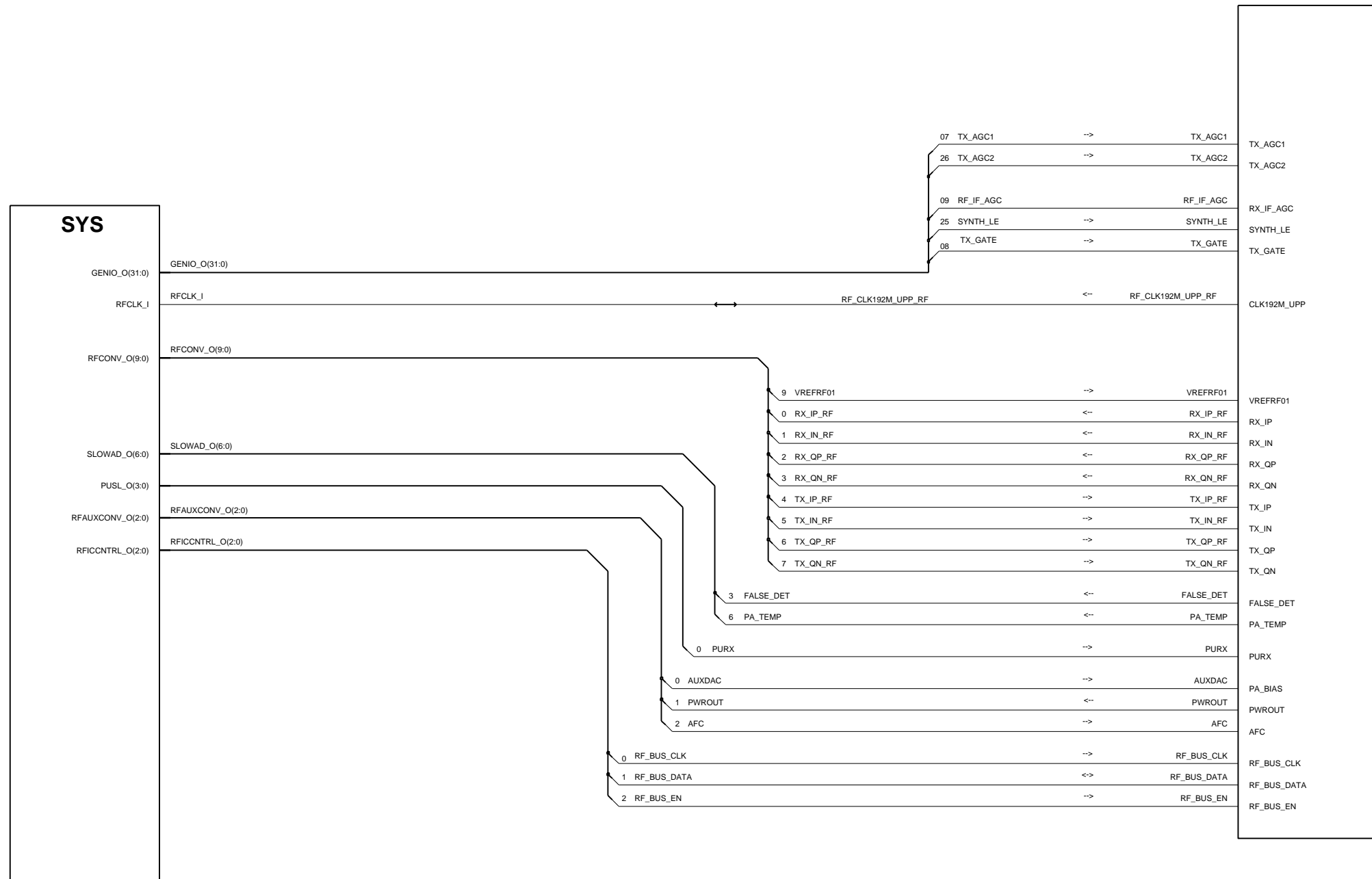
TEST POINTS FOR BATTERY



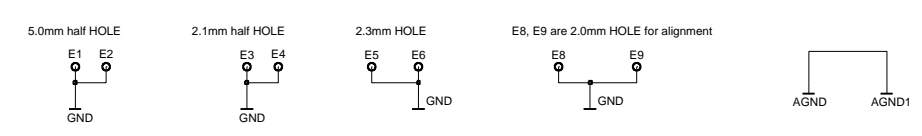
PROD TEST PATTERN

Top Level

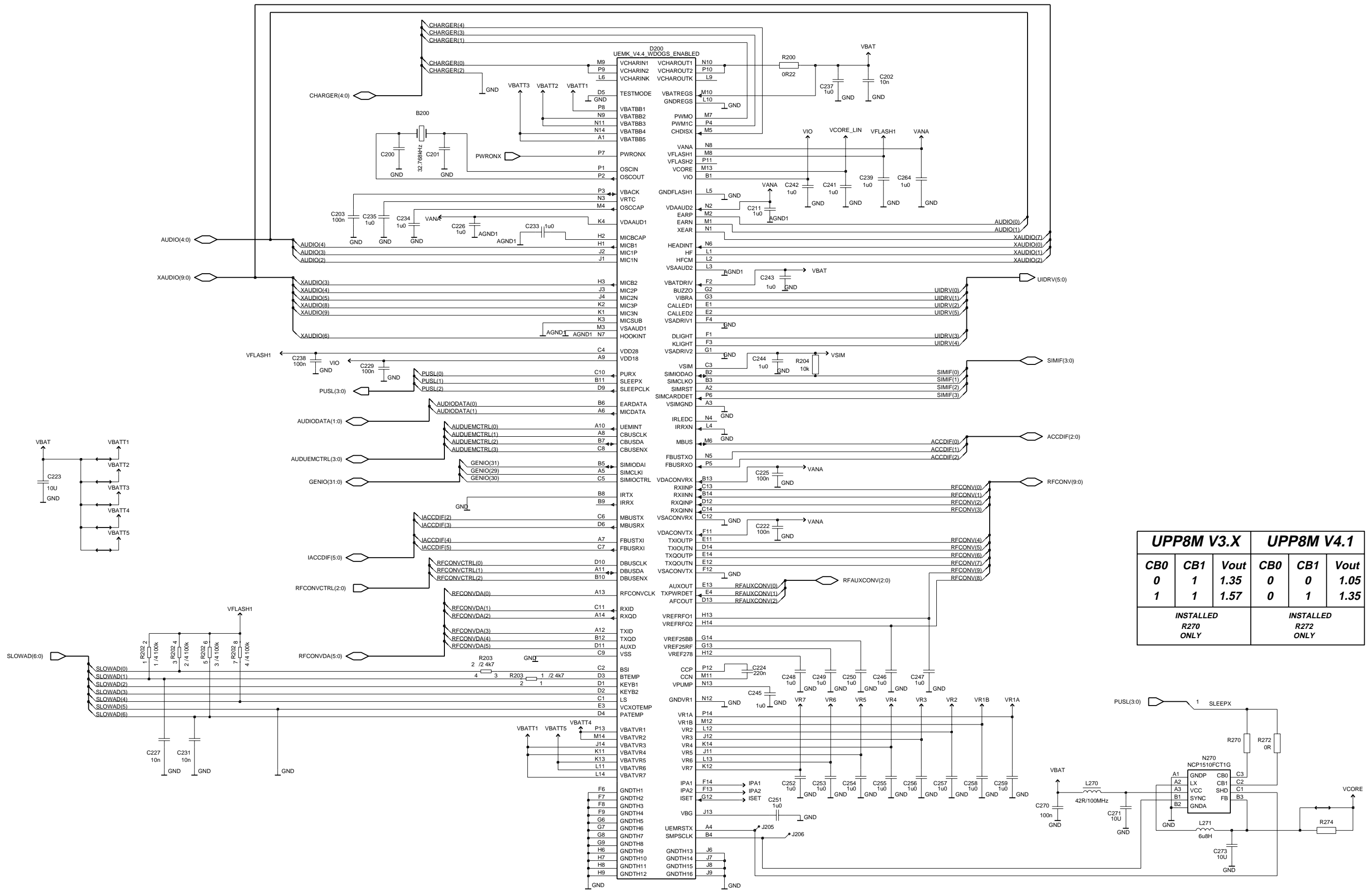
RF



Mechanical Plated Thru Holes

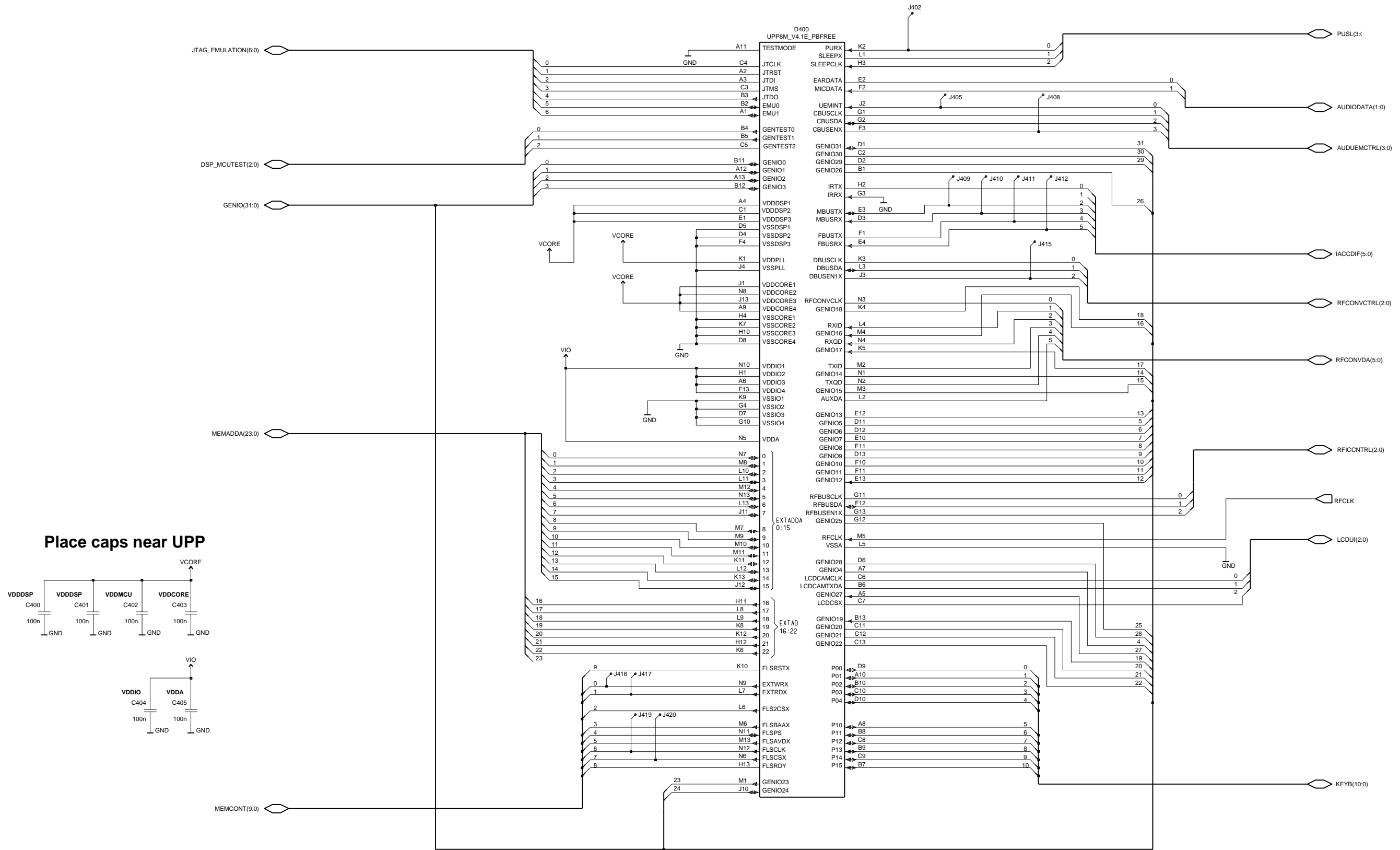


UEM

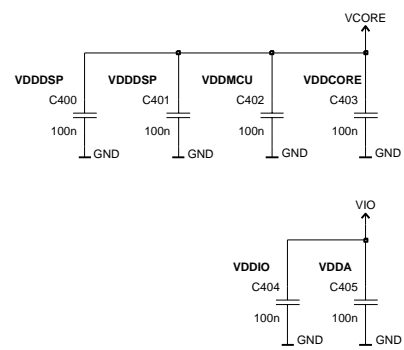


UPP8M V3.X			UPP8M V4.1		
CB0	CB1	Vout	CB0	CB1	Vout
0	1	1.35	0	0	1.05
1	1	1.57	0	1	1.35
INSTALLED ONLY R270			INSTALLED ONLY R272		

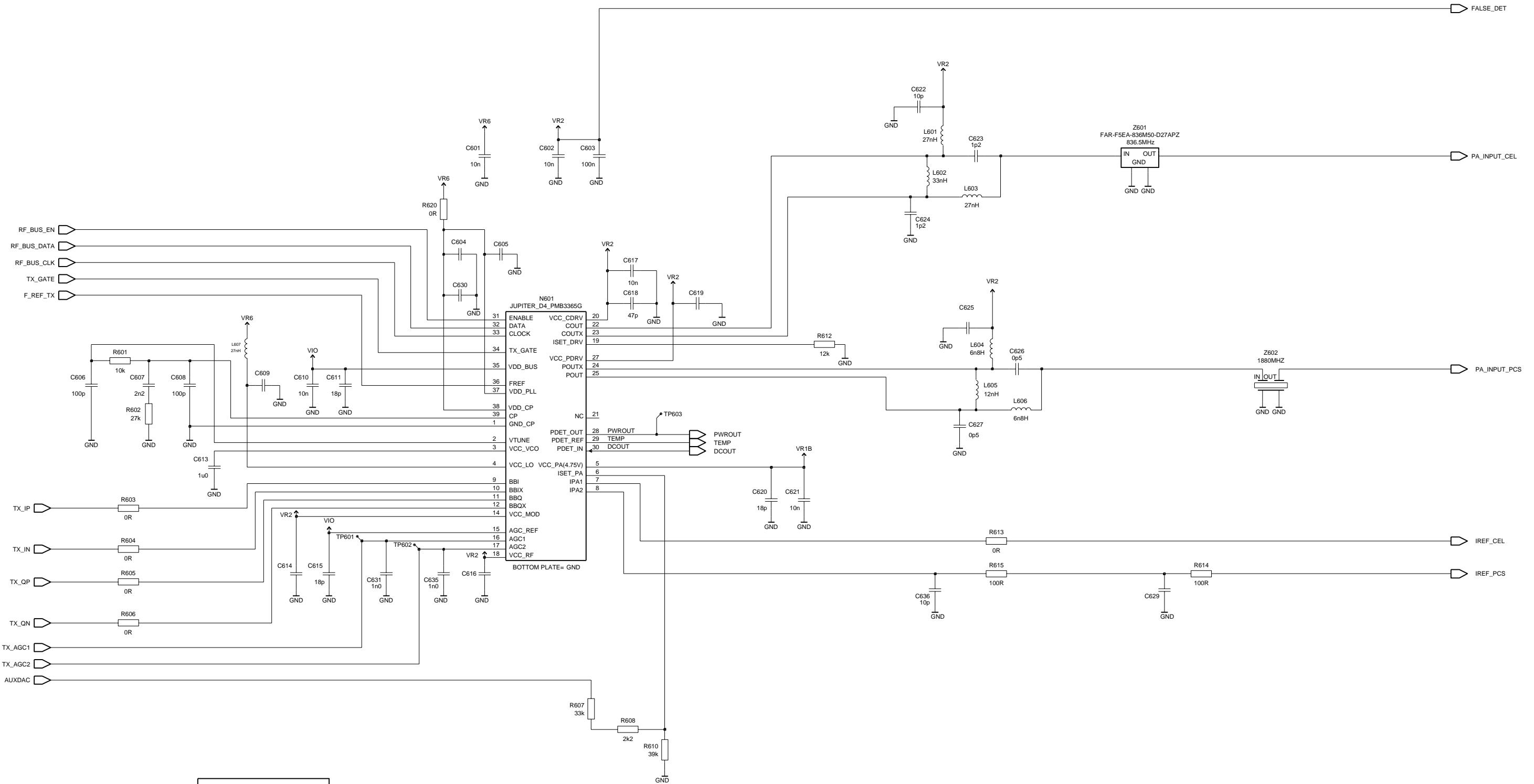
UPP



Place caps near UPP

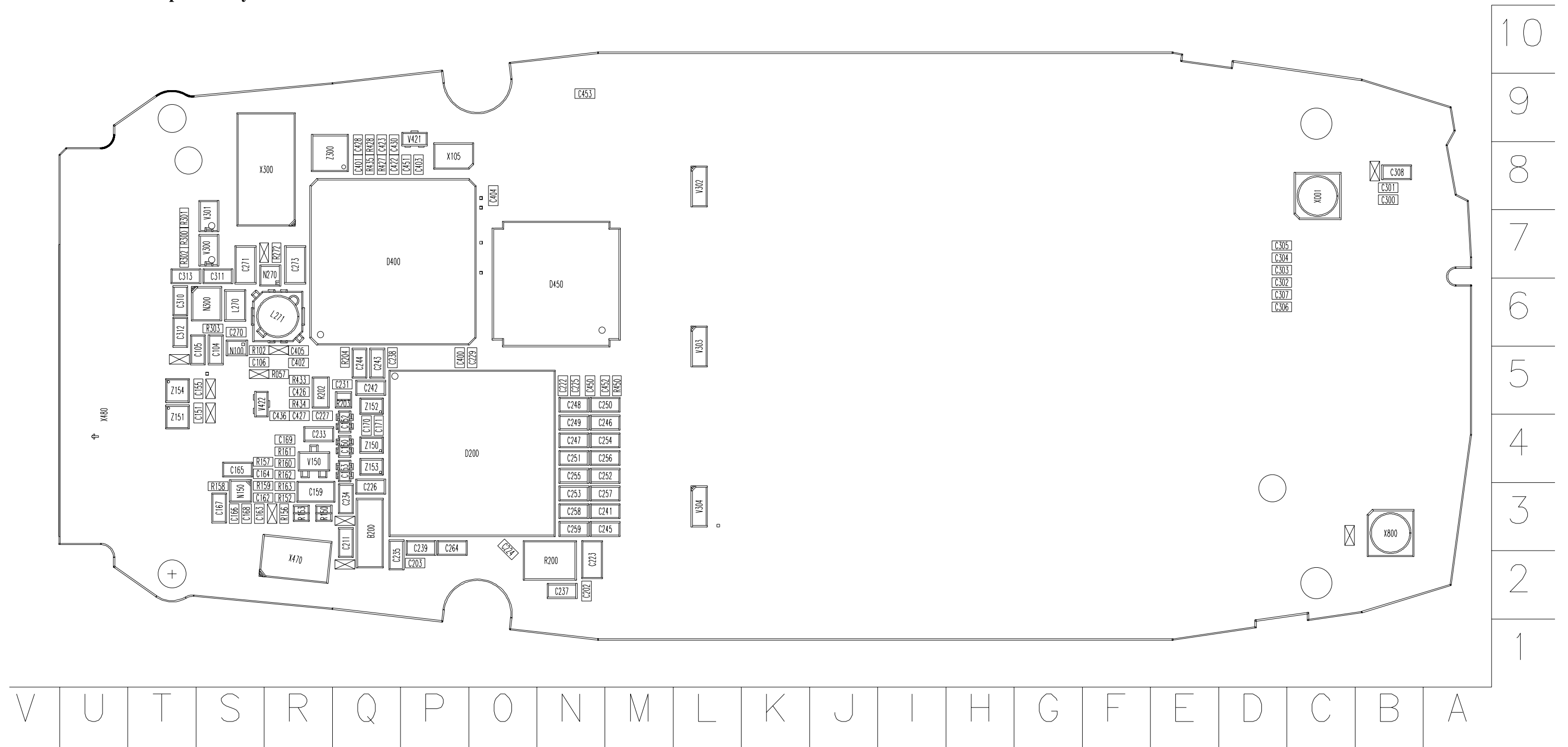


Jupiter

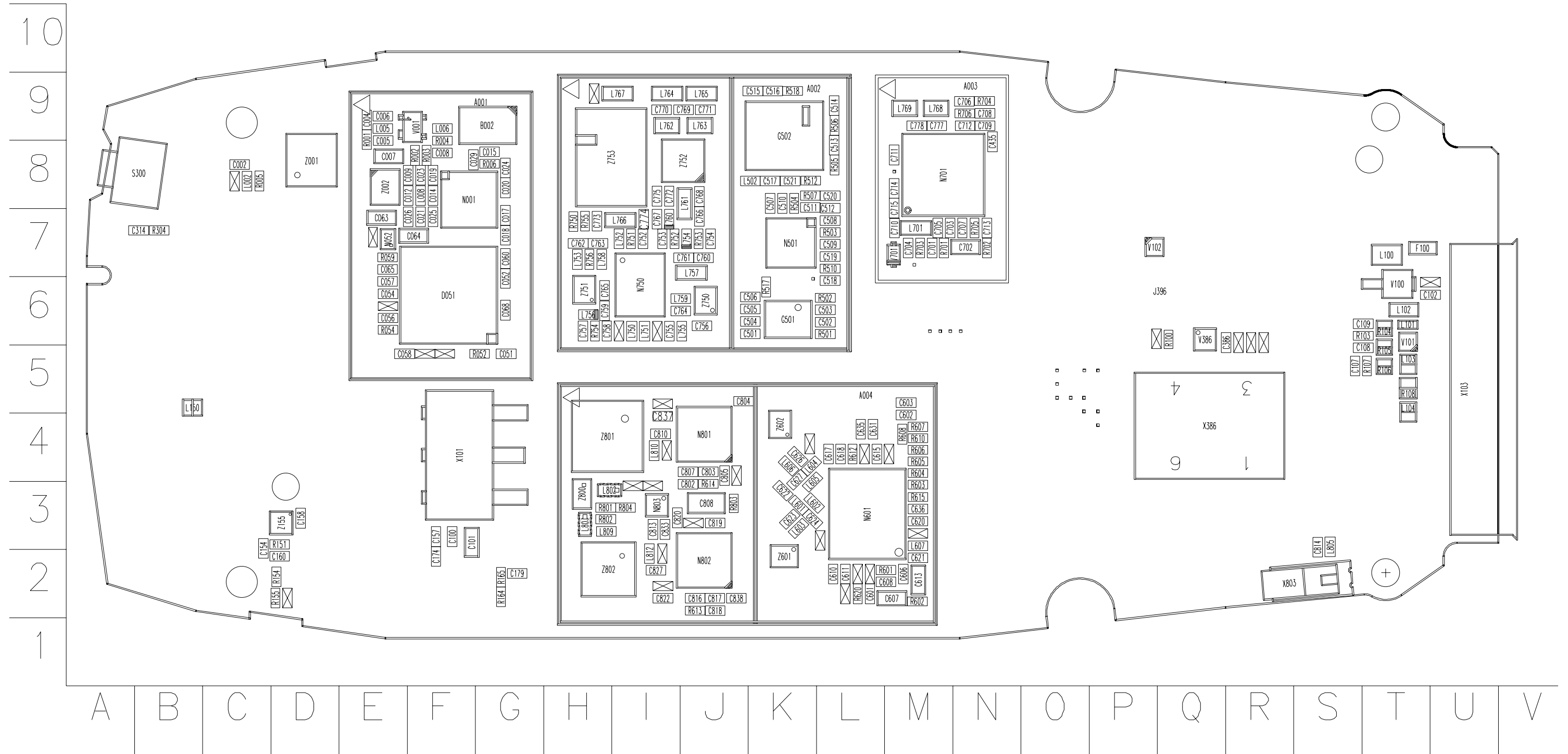


VARIANT DNI	
HDB91	HDC93
800	1900
C625	C622
C626	C623
C627	C624
C629	L601
L604	L602
L605	L603
L606	R613
R614	Z601
Z602	

6019i — 0202499 Component Layout — Bottom



6019i — 0202500 Component Layout — Top



This page intentionally left blank.